



Main features

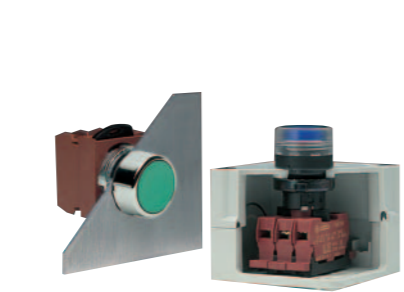


Shape, material and colours

The P9 line offers three types of operators:

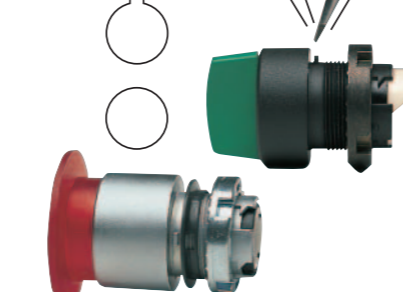
- round in satin chrome metal
- round in engineered thermoplastic
- square in engineered thermoplastic

Modern ergonomic P9 actuators are available in a wide variety of colours and styles, and are the result of superior industrial design experience. SERIES P9 satisfies any sophisticated industrial applications.



Mounting system

The P9 line offers a wide variety of operators, contact blocks and power supplies for panel mounting. Furthermore a range of operators, contact blocks and power supplies are available for base mounting. The base mounting option is simple thanks to plastic enclosures fitted with a standard mounting adaptor, which allows a snap-on and secure fastening.



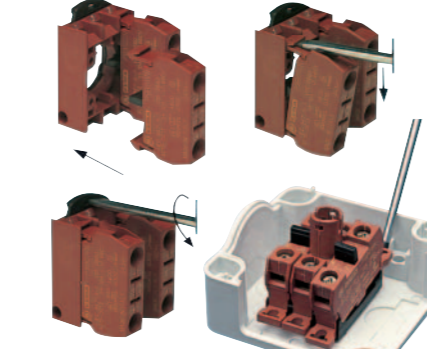
Fitting and positioning

All the P9 operators are fitted with seal to ensure IP66 degree of protection. A locating tab on the operator allows the correct positioning on panels with holes drilled according to CENELEC EN 50007 standards (with notch). The tab also ensures panel stability and prevents unwanted rotations. The tab can be removed with a screwdriver for applications in holes without notch.



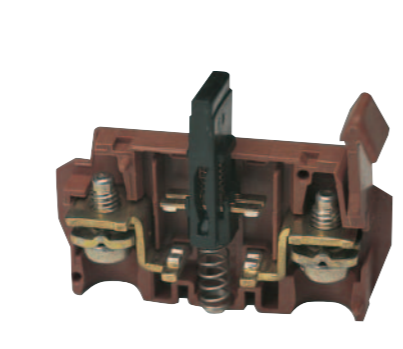
Rear locking and back mounting procedure

P9 operators are back mounted to the panel by a patented locking ring. The units can be assembled using a standard screwdriver. As an option, an assembly wrench is available.



Fast mounting

All the P9 rear panel devices are snap-on. Mounting between panel and operator is accomplished by means of a patented snap-on flange which ensures a fast fitting. For base mounting, the fitting is done directly on the adaptor inside the enclosures base. Each single block can be mounted or removed individually. In panel mounting, it is also possible to install or remove the snap-on mounting flange with the contact block group. Blocks and/or flange can be disassembled by a standard screwdriver, to simplify operations.



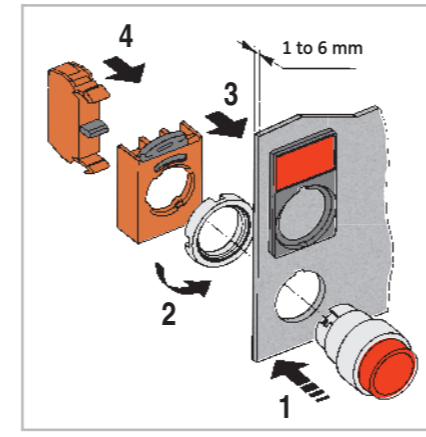
Safety and reliability

The P9 contact blocks are designed to ensure maximum reliability in every condition and to monitor control circuits at low energy levels (12V-5mA minimum), thanks to advanced solution such as:

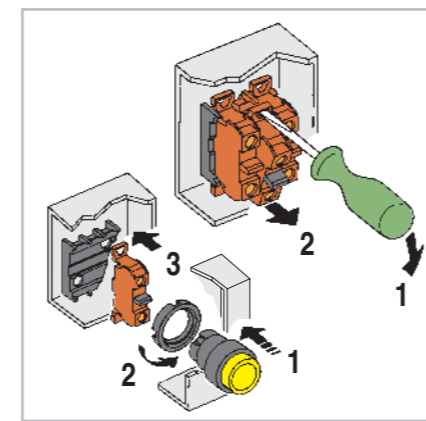
- four contact points
- high efficiency self-cleaning operation
- silver contacts, properly shaped
- high control pressure.

Technical data

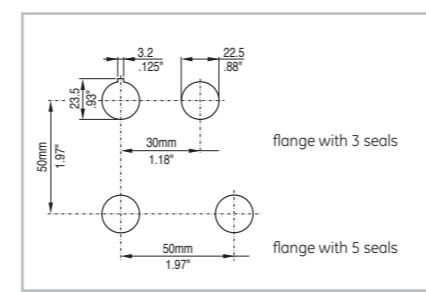
Panel mounting



Base mounting



Mounting



Fitted for panels 1 to 6 mm thick with holes drilled according to CENELEC EN 50007 standards.

Compliance with standards

IEC 947.5.1 - VDE 0660 - NF-C63140
CEI EN 60947.5.1 - UTE - BSI
NEMA - CENELEC EN 50007

Approvals

UL (U.S.A.) - CSA (Canada) - RINA (I) - Lloyd's Register of Shipping (U.K.) - Bureau Veritas (F)

Climatic protections

The standard versions are suitable for use in the following climates:

- Temperate climate
cat. 23/50 (DIN 50014)
- Wet climate
cat. 23/83 (DIN 50015)
- Hot wet climate
cat. 40/92 (DIN 50015)
- Variable wet climate
cat. FW24 (DIN 50016)

Temperature ranges

- Operation: from - 25°C up to + 70°C
- Storage: from - 40°C up to + 70°C

Degree of protection of the operators

IP66 according to CENELEC EN 60529 when they are mounted into enclosures with the same or a higher degree of protection. Suitable for using into enclosures NEMA type 1-3-3R-3S-4-4X-12-13 according to UL 508.

Degree of protection of the terminals

IP2x according to CENELEC EN 60529

Shock resistance

(according to MIL 202 B method 202 A) 1/2 sinusoid 11 ms:
No damage or disassembling at 100 G for all devices (except for the illuminated operators with transformer 38 G).

Vibration resistance

(according to IEC 68-2-6) 16 G with frequency range from 40 to 500 Hz and maximum shifting 0.75 mm. (peak-to-peak).

Rated insulation voltage

690V according to EN 60947.1

Impulse withstand voltage

4 kV according to EN 60947.1

Electric shock protection

- Class I according to IEC 536 for metal operators
- Class II (double insulation) according to IEC 536 for plastic operators.

Short-circuit protection

With fuses type gG of 16A according to IEC 269.1 and 269.3.

Electrical resistance of the contact

≤ 25 m Ω according to IEC 255, cat 3

Performances of the contacts

- Slow action
- Self-cleaning sliding
- NC "positive opening"
- Double movable contact
- Four switching points
- Double break

Identification of the terminals

According CENELEC EN 50013

Electrical performances

Rated thermal current I_{th} = 10A
Performances according IEC 947.5.1

Category AC15

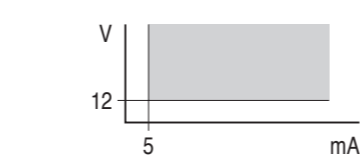
| | | | | | | | | |
|----------------|----|----|----|-----|-----|-----|-----|-----|
| Voltage Ue (V) | 24 | 48 | 60 | 110 | 220 | 380 | 500 | 600 |
| Current Ie (A) | 10 | 10 | 10 | 6 | 3 | 2 | 1.5 | 1.2 |

Category DC 13

| | | | | | | |
|----------------|-----|-----|----|------|------|-----|
| Voltage Ue (V) | 24 | 48 | 60 | 110 | 220 | 300 |
| Current Ie (A) | 2.5 | 1.4 | 1 | 0.55 | 0.27 | 0.2 |

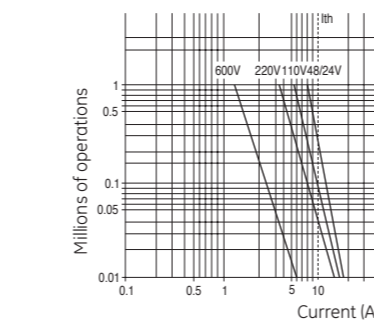
Performances according to CSA and UL AC/Heavy Duty (A600) - DC/Standard Duty (Q300)

Minimum operating range

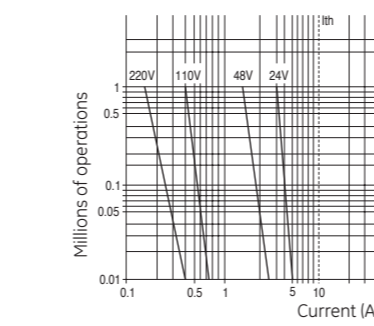


Electrical life

Alternate current 50/60 Hz cat. AC15



Direct current cat. DC 13



Common accessories

Bulbs BA9s

| Filament type | Vn | Wn | Cat. nr. | Ref. nr. |
|---------------|-----|----|----------|----------|
| 6 | 0.6 | | BA9S606 | 187850 |
| 6 | 1.5 | | BA9S615 | 187851 |
| 12 | 2.0 | | BA9S122 | 187852 |
| 24 | 2.0 | | BA9S242 | 187853 |
| 30 | 2.1 | | BA9S30 | 187854 |
| 48 | 2.0 | | BA9S48 | 187855 |
| 60 | 1.2 | | BA9S6012 | 187856 |
| 130 | 2.0 | | BA9S130 | 187857 |

Mono led

| Vn AC/DC ± 10% | Cat. nr. | Ref. nr. |
|----------------|------------|----------|
| 6 | BA9S6LR* | 187871 |
| 12 | BA9S12LR* | 187881 |
| 24 | BA9S24LR* | 187891 |
| 48 | BA9S48LR* | 187901 |
| 110 | BA9S110LR* | 187911 |
| 230 | BA9S230LR* | 187921 |

* Colour palette :

Insert holders

Supplied with neutral insert engravable on both sides
Standard 30 x 50 mm



Round plates

For emergency push-buttons diameter 59 mm (yellow background)



Plugs



Tools



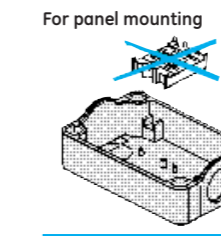
Push-button stations

Empty versions in thermoplastic IP66

Light grey coloured
Panel or base mounted



Cover with holes
Knockouts conduit entry



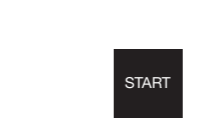
Accessories

Write-on plates

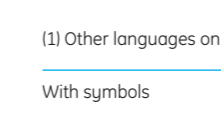
Bliminated, self adhesive, 20 x 20 mm
Black background engravable for white texts

Without text

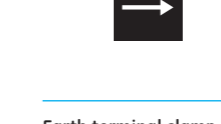
With text (1)



(1) Other languages on request



With symbols



Earth terminal clamp

P9AEMT 189029

Empty versions in aluminium alloy

Grey coloured RAL 7012
Panel mounting

Cover with holes

| No of holes | Cat. nr. | Ref. nr. |
|------------------|----------|----------|
| 1 (yellow cover) | P9EPEG1 | 189000 |
| 1 | P9EPE01 | 189001 |
| 2 | P9EPE02 | 189002 |
| 3 | P9EPE03 | 189003 |
| 4 | P9EPE04 | 189004 |
| 6 | P9EPE06 | 189005 |

Equipped versions in thermoplastic IP66, one unit



| Operators | Colour | Diagram | Namepl. | Cat. nr. | Ref. nr. |
|---|--------|---------|---------|------------|----------|
| Flush push-button | green | | I | P9EPA01Y02 | 189010 |
| Flush push-button | white | | I | P9EPA01Y03 | 189011 |
| Flush push-button | red | | 0 | P9EPA01Y04 | 189012 |
| Flush push-button | black | | 0 | P9EPA01Y05 | 189013 |
| Emergency push-button with latch according to EN418 (on yellow cover) | red | | 0 | P9EPAG1Y01 | 189015 |
| Key selector switch with 2 pos. | - | | 0-I | P9EPA01Y06 | 189014 |

Equipped versions in thermoplastic IP66, two units



| Operators | Colour | Diagram | Namepl. | Cat. nr. | Ref. nr. |
|--------------------|--------|---------|---------|------------|----------|
| Flush push-buttons | green | | I | P9EPA02Y01 | 189016 |
| Flush push-buttons | red | | 0 | | |
| Flush push-buttons | white | | I | P9EPA02Y02 | 189017 |
| Flush push-buttons | black | | 0 | | |

The catalogue numbers in bold are available from stock.

Equipped versions in thermoplastic IP66, three units



| Operators | Colour | Diagram | Namepl. | Cat. nr. | Ref. nr. |
|---|--------|---------|---------|------------|----------|
| Full voltage pilot light BA9S max 380V-2W not incl. | white | | blank | P9EPA03Y01 | 189018 |
| Flush push-buttons | green | | I | | |
| Flush push-buttons | red | | 0 | | |
| Emergency push-button with latch according to EN418 (on yellow cover) | red | | 0 | P9EPA03Y02 | 189019 |
| Full voltage pilot light BA9S max 380V-2W not incl. | white | | blank | P9EPA03Y03 | 189020 |
| Flush push-buttons | white | | I | | |
| Flush push-buttons | black | | 0 | | |
| Resistor + diode pilot light 220/240V AC BA9S 130V-2W incl. | white | | blank | P9EPA03Y04 | 189021 |
| Flush push-buttons | white | | I | | |
| Flush push-buttons | black | | 0 | | |
| Resistor + diode pilot light 220/240V AC BA9S 130V-2W incl. | white | | blank | P9EPA03Y05 | 189022 |
| Flush push-buttons | black | | ↑ | | |
| Flush push-buttons | red | | 0 | | |
| Flush push-buttons | black | | ↓ | | |

GE POWER CONTROLS
Hornhouse Lane - Knowsley Industrial Park
Liverpool L33 7YQ
United Kingdom
Tel. 0800/587 1251
Fax 0800/587 1239
E-mail: gepcuk@gepc.ge.com

GE POWER CONTROLS
International Sales
Nieuwevaart 51
B-9000 Gent - Belgium
Tel. +32/9 265 21 11
Fax +32/9 265 28 90
E-mail: gepcbe@gepc.ge.com

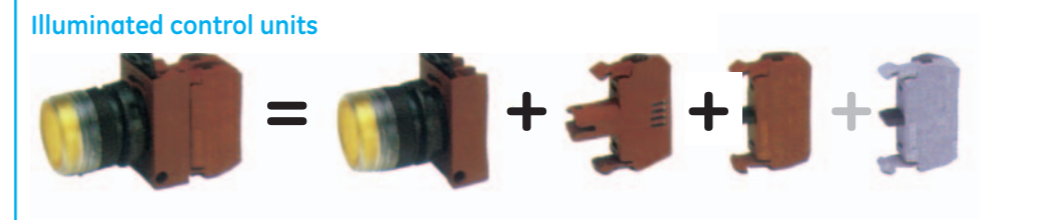
Series P9
Control and Signalling Units



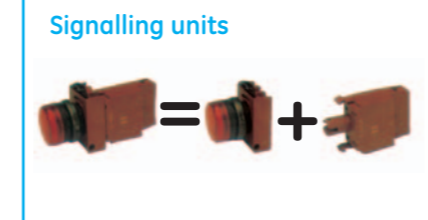


Example:
Green push-button in metal, round with flush cap + 2 contacts NO = P9 MPNVG + 2x P9 B10VN

| | Push-button with flush cap | Push-button with raised cap | Push-button mushroom head | Push-button emergency push-twist to release mushroom head | Push-button emergency with positive break push-twist to release mushroom head | Selector switch with knob | Selector switch with lever | Selector switch with key (code 3095) key removal in all positions | Joystick |
|-------------------------------|---|---|---|---|---|---|---|---|--|
| Round satin chrome P9M | P9MPN+G Ref. nr.N.. 184000R.. 184001V.. 184002G.. 184003L.. 184006 | P9MPN+S Ref. nr.N.. 184010R.. 184011V.. 184012G.. 184013L.. 184016 | P9MEM4+N Ref. nr.N.. 184030R.. 184031V.. 184032G.. 184033 | P9MERA+N Ref. nr.R.. 184070 | P9MERA+N Ref. nr.R.. 184070 | I-II fixed ● P9MSMDON 184110 I-O-II fixed ● P9MSMZON 184200 I-O-II spring return ● P9MSM23N 184320 | I-II fixed ● P9MSVDON 184370 I-O-II fixed ● P9MSVZON 184379 I-O-II spring return ● P9MSV23N 184391 | I-II fixed ● P9MSCDOK95 184402 I-O-II fixed ● P9MSC20T95 184439 I-O-II spring return ● P9MSC23C95 184467 | fixed pos. ● P9MMN2F 184700 transient pos. ● P9MMN2T 184701 fixed pos. ● P9MMN4F 184720 transient pos. ● P9MMN4T 184721 |
| Round plastic P9X | P9XPN+G Ref. nr.N.. 185000R.. 185001V.. 185002G.. 185003L.. 185006 | P9XPN+S Ref. nr.N.. 185010R.. 185011V.. 185012G.. 185013L.. 185016 | P9XEM4+N Ref. nr.N.. 185040R.. 185041V.. 185042G.. 185043 | P9XERAR+N Ref. nr.R.. 185070 | P9XERARA Ref. nr.R.. 185072 | I-II fixed ● P9XSMDON 185110 I-O-II fixed ● P9XSMZON 185200 I-O-II spring return ● P9XSM23N 185320 | I-II fixed ● P9XSVDON 185370 I-O-II fixed ● P9XSVZON 185379 I-O-II spring return ● P9XSV23N 185391 | I-II fixed ● P9XSCDOK95 185402 I-O-II fixed ● P9XSC20T95 185439 I-O-II spring return ● P9XSC23C95 185467 | fixed pos. ● P9XMMN2F 185700 transient pos. ● P9XMMN2T 185701 fixed pos. ● P9XMMN4F 185720 transient pos. ● P9XMMN4T 185721 |
| Square plastic P9S | P9SPN+G Ref. nr.N.. 186000R.. 186001V.. 186002G.. 186003L.. 186006 | P9SPN+S Ref. nr.N.. 186010R.. 186011V.. 186012G.. 186013L.. 186016 | P9SEM4+N Ref. nr.N.. 186030R.. 186031V.. 186032G.. 186033 | P9SERARA Ref. nr.R.. 186072 | P9SERARA Ref. nr.R.. 186072 | I-II fixed ● P9SSMDON 186110 I-O-II fixed ● P9SSMZON 186200 I-O-II spring return ● P9SSM23N 186320 | I-II fixed ● P9SSVDON 186110 I-O-II fixed ● P9SSVZON 186379 I-O-II spring return ● P9SSV23N 186391 | I-II fixed ● P9SSCDOK95 186402 I-O-II fixed ● P9SSC20T95 186439 I-O-II spring return ● P9SSC23C95 186467 | fixed pos. ● P9SMMN2F 186700 transient pos. ● P9SMMN2T 186701 fixed pos. ● P9SMMN4F 186720 transient pos. ● P9SMMN4T 186721 |

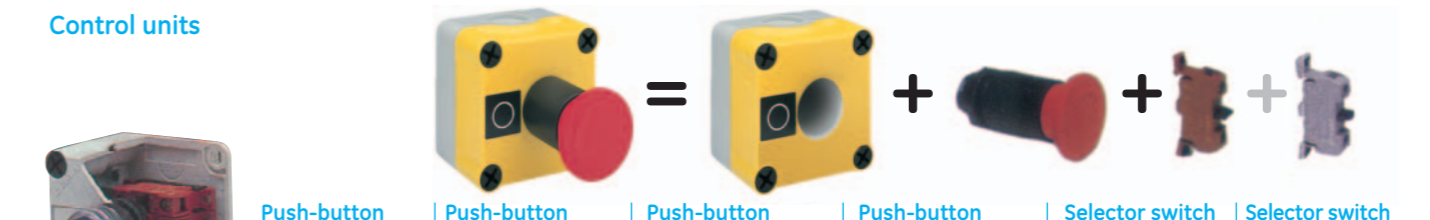


| | Illuminated push-button with flush cap | Illuminated push-button with raised cap | Illuminated push-button with mushroom head | Illuminated push-button push-pull to release with mushroom head | Illuminated selector switch |
|-------------------------------|---|---|---|---|---|
| Round satin chrome P9M | P9MPL+GD Ref. nr.R.. 184491V.. 184492G.. 184493B.. 184497 | P9MPL+SD Ref. nr.R.. 184501V.. 184502G.. 184503B.. 184507 | P9MEM4+L Ref. nr.R.. 184511V.. 184512G.. 184513L.. 184516 | P9META+L1 Ref. nr.R.. 184561 | I-II fixed Ref. nr. P9MSLDR* 184591 I-O-II fixed Ref. nr. P9MSLZOR* 184601 I-O-II spring return Ref. nr. P9MSL23R* 184631 *Colour palette = R V G L |
| Round plastic P9X | P9XPL+GD Ref. nr.R.. 185491V.. 185492G.. 185493B.. 185497 | P9XPL+SD Ref. nr.R.. 185501V.. 185502G.. 185503B.. 185507 | P9XEM4+L Ref. nr.R.. 185511V.. 185512G.. 185513L.. 185516 | P9XETA+L1 Ref. nr.R.. 185561 | I-II fixed Ref. nr. P9XSLDR* 185591 I-O-II fixed Ref. nr. P9XSLZOR* 185601 I-O-II spring return Ref. nr. P9XSL23R* 185631 *Colour palette = R V G L |
| Square plastic P9S | P9SPL+GD Ref. nr.R.. 186491V.. 186492G.. 186493B.. 186497 | P9SPL+SD Ref. nr.R.. 186501V.. 186502G.. 186503B.. 186507 | P9SEM4+L Ref. nr.R.. 186511V.. 186512G.. 186513L.. 186516 | P9SETA+L1 Ref. nr.R.. 186561 | I-II fixed Ref. nr. P9SSLDR* 186591 I-O-II fixed Ref. nr. P9SSLZOR* 186601 I-O-II spring return Ref. nr. P9SSL23R* 186631 *Colour palette = R V G L |



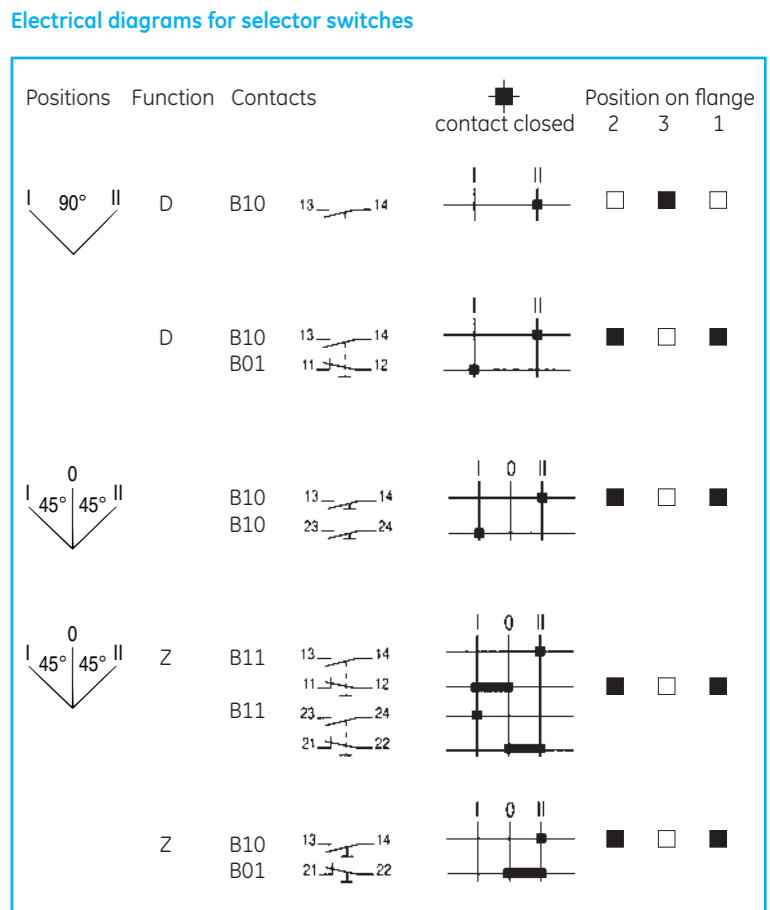
| | Pilot light diffused lens | Pilot light unibloc full voltage >= BA95 max. 2W not included |
|-------------------------------|--|--|
| Round satin chrome P9M | P9ML+D Ref. nr.R.. 184791V.. 184792G.. 184793B.. 184797 | P9ML+DDO Ref. nr.R.. 185821V.. 185822G.. 185823B.. 185827 |
| Round plastic P9X | P9XPL+D Ref. nr.R.. 185791V.. 185792G.. 185793B.. 185797 | P9XPL+DDO Ref. nr.R.. 185821V.. 185822G.. 185823B.. 185827 |
| Square plastic P9S | P9SPL+D Ref. nr.R.. 186791V.. 186792G.. 186793B.. 186797 | P9SPL+DDO Ref. nr.R.. 186821V.. 186822G.. 186823B.. 186827 |

| Contact blocks | Cat. nr. | Ref. nr. |
|---|---|--|
| 1 NC 1 NO 2 NC 1 NC + 1 NO 2 NO | P9B01VN P9B10VN P9B20VN P9B11VN P9B20VN | 187001 187002 187008 187000 187009 |
| Full voltage | P9PDNV0 | 187020 |
| Resistor | P9PRNVJ P9PRNVN | 187023 187024 |
| Transformer 50/60 Hz | P9PTNVJ P9PTNVN | 187030 187031 |
| Multifunction | P9PDMVD P9PTMVJ P9PTMVN | 187040 187045 187046 |
| Integrated LED | P9 PLN VDR* P9 PLN VJR* P9 PLN VNR* | 197004 197010 197016 |
| Standard light | P9 PLF VDR* P9 PLF VJR* P9 PLF VNR* | 197022 197028 197034 |
| Flashing light | P9 PLF VDR* P9 PLF VJR* P9 PLF VNR* | 197022 197028 197034 |



| | Push-button with flush cap | Push-button with raised cap | Push-button mushroom head | Push-button emergency push-twist to release mushroom head | Selector switch with knob | Selector switch with key (code 3095) key removal in all positions |
|--------------------------|---|---|---|---|---|---|
| Round plastic P9Y | P9YPN+G Ref. nr.N.. 185900R.. 185901V.. 185902G.. 185903L.. 185907 | P9YPN+S Ref. nr.N.. 185910R.. 185911V.. 185912G.. 185913L.. 185917 | P9YEM4+N Ref. nr.R.. 185920 | P9YER4+A Ref. nr.R.. 185921 | I-II fixed ● P9YSMDON 185960 I-O-II fixed ● P9YSMZON 185962 I-O-II spring return ● P9YSM23N 185965 | I-II fixed ● P9YSCD0A95 185970 I-O-II fixed ● P9YSC20C95 185975 I-O-II spring return ● P9YSC23C95 185987 |
| Push-buttons | STYLE: Panel mounting FORM: P = Push-Button TYPE: N = Non illuminated, L = Illuminated CAP COLOUR: N = Black, R = Red, V = Green, G = Yellow, B = Blue, L = White PUSH-BUTTON TYPE: G = Flush, R = Extended, S = Extended, E = Recessed LENS TYPE: D = Diffuser for illuminated push-button only | STYLE: Panel mounting FORM: P = Push-Button TYPE: N = Non illuminated, L = Illuminated CAP COLOUR: N = Black, R = Red, V = Green, G = Yellow, B = Blue, L = White PUSH-BUTTON TYPE: G = Flush, R = Extended, S = Extended, E = Recessed LENS TYPE: D = Diffuser for illuminated push-button only | STYLE: Panel mounting FORM: P = Push-Button TYPE: N = Non illuminated, L = Illuminated CAP COLOUR: N = Black, R = Red, V = Green, G = Yellow, B = Blue, L = White PUSH-BUTTON TYPE: G = Flush, R = Extended, S = Extended, E = Recessed LENS TYPE: D = Diffuser for illuminated push-button only | STYLE: Panel mounting FORM: P = Push-Button TYPE: N = Non illuminated, L = Illuminated CAP COLOUR: N = Black, R = Red, V = Green, G = Yellow, B = Blue, L = White PUSH-BUTTON TYPE: G = Flush, R = Extended, S = Extended, E = Recessed LENS TYPE: D = Diffuser for illuminated push-button only | STYLE: Panel mounting FORM: P = Push-Button TYPE: N = Non illuminated, L = Illuminated CAP COLOUR: N = Black, R = Red, V = Green, G = Yellow, B = Blue, L = White PUSH-BUTTON TYPE: G = Flush, R = Extended, S = Extended, E = Recessed LENS TYPE: D = Diffuser for illuminated push-button only | STYLE: Panel mounting FORM: P = Push-Button TYPE: N = Non illuminated, L = Illuminated CAP COLOUR: N = Black, R = Red, V = Green, G = Yellow, B = Blue, L = White PUSH-BUTTON TYPE: G = Flush, R = Extended, S = Extended, E = Recessed LENS TYPE: D = Diffuser for illuminated push-button only |
| Selector switches | STYLE: Panel mounting FORM: S = Selector switches TYPE: M = Knob, V = Lever, L = Illuminated Knob CAM: D = 2 positions, Z = 3 positions SPRING RETURN: O = Fixed, 3 = From left & right, L = 0 < R, 1 = L > 5 = < R COLOUR: N = Black, R = Red, V = Green, G = Yellow, B = Blue, L = White | STYLE: Panel mounting FORM: S = Selector switches TYPE: M = Knob, V = Lever, L = Illuminated Knob CAM: D = 2 positions, Z = 3 positions SPRING RETURN: O = Fixed, 3 = From left & right, L = 0 < R, 1 = L > 5 = < R COLOUR: N = Black, R = Red, V = Green, G = Yellow, B = Blue, L = White | STYLE: Panel mounting FORM: S = Selector switches TYPE: M = Knob, V = Lever, L = Illuminated Knob CAM: D = 2 positions, Z = 3 positions SPRING RETURN: O = Fixed, 3 = From left & right, L = 0 < R, 1 = L > 5 = < R COLOUR: N = Black, R = Red, V = Green, G = Yellow, B = Blue, L = White | STYLE: Panel mounting FORM: S = Selector switches TYPE: M = Knob, V = Lever, L = Illuminated Knob CAM: D = 2 positions, Z = 3 positions SPRING RETURN: O = Fixed, 3 = From left & right, L = 0 < R, 1 = L > 5 = < R COLOUR: N = Black, R = Red, V = Green, G = Yellow, B = Blue, L = White | STYLE: Panel mounting FORM: S = Selector switches TYPE: M = Knob, V = Lever, L = Illuminated Knob CAM: D = 2 positions, Z = 3 positions SPRING RETURN: O = Fixed, 3 = From left & right, L = 0 < R, 1 = L > 5 = < R COLOUR: N = Black, R = Red, V = Green, G = Yellow, B = Blue, L = White | STYLE: Panel mounting FORM: S = Selector switches TYPE: M = Knob, V = Lever, L = Illuminated Knob CAM: D = 2 positions, Z = 3 positions SPRING RETURN: O = Fixed, 3 = From left & right, L = 0 < R, 1 = L > 5 = < R COLOUR: N = Black, R = Red, V = Green, G = Yellow, B = Blue, L = White |
| Pilot lights | STYLE: Panel mounting FORM: L = Pilot light TYPE: R = Red, V = Green, G = Yellow, B = White LENS TYPE: D = Diffused, R = Refracted, V = Glass | STYLE: Panel mounting FORM: L = Pilot light TYPE: R = Red, V = Green, G = Yellow, B = White LENS TYPE: D = Diffused, R = Refracted, V = Glass | STYLE: Panel mounting FORM: L = Pilot light TYPE: R = Red, V = Green, G = Yellow, B = White LENS TYPE: D = Diffused, R = Refracted, V = Glass | STYLE: Panel mounting FORM: L = Pilot light TYPE: R = Red, V = Green, G = Yellow, B = White LENS TYPE: D = Diffused, R = Refracted, V = Glass | STYLE: Panel mounting FORM: L = Pilot light TYPE: R = Red, V = Green, G = Yellow, B = White LENS TYPE: D = Diffused, R = Refracted, V = Glass | STYLE: Panel mounting FORM: L = Pilot light TYPE: R = Red, V = Green, G = Yellow, B = White LENS TYPE: D = Diffused, R = Refracted, V = Glass |

| | Illuminated push-button with flush cap | Illuminated push-button with raised cap | Pilot light diffuser lens |
|-------------------------------|---|---|---|
| Round satin chrome P9M | P9YPL+GD Ref. nr.R.. 185931V.. 185932G.. 185933L.. 185937 | P9YPL+SD Ref. nr.R.. 185941V.. 185942G.. 185943L.. 185947 | P9YL+D Ref. nr.R.. 185951V.. 185952G.. 185953L.. 185957 |
| Round plastic P9X | P9XPL+GD Ref. nr.R.. 185931V.. 185932G.. 185933L.. 185937 | P9XPL+SD Ref. nr.R.. 185941V.. 185942G.. 185943L.. 185947 | P9YL+D Ref. nr.R.. 185951V.. 185952G.. 185953L.. 185957 |
| Square plastic P9S | P9SPL+GD Ref. nr.R.. 186791V.. 186792G.. 186793B.. 186797 | P9SPL+SD Ref. nr.R.. 186801V.. 186802G.. 186803B.. 186807 | P9YL+D Ref. nr.R.. 186791V.. 186792G.. 186793B.. 186797 |



(1) Nomenclature keys are indicative only. Do not use for orders.
The complete range is shown in our general catalogue "Control and Automation Products"